

Interchange Unit Type 1232 (B481)

This parts catalog includes MB No. 1 to 3

Interchange Unit Type 1232 (B481)

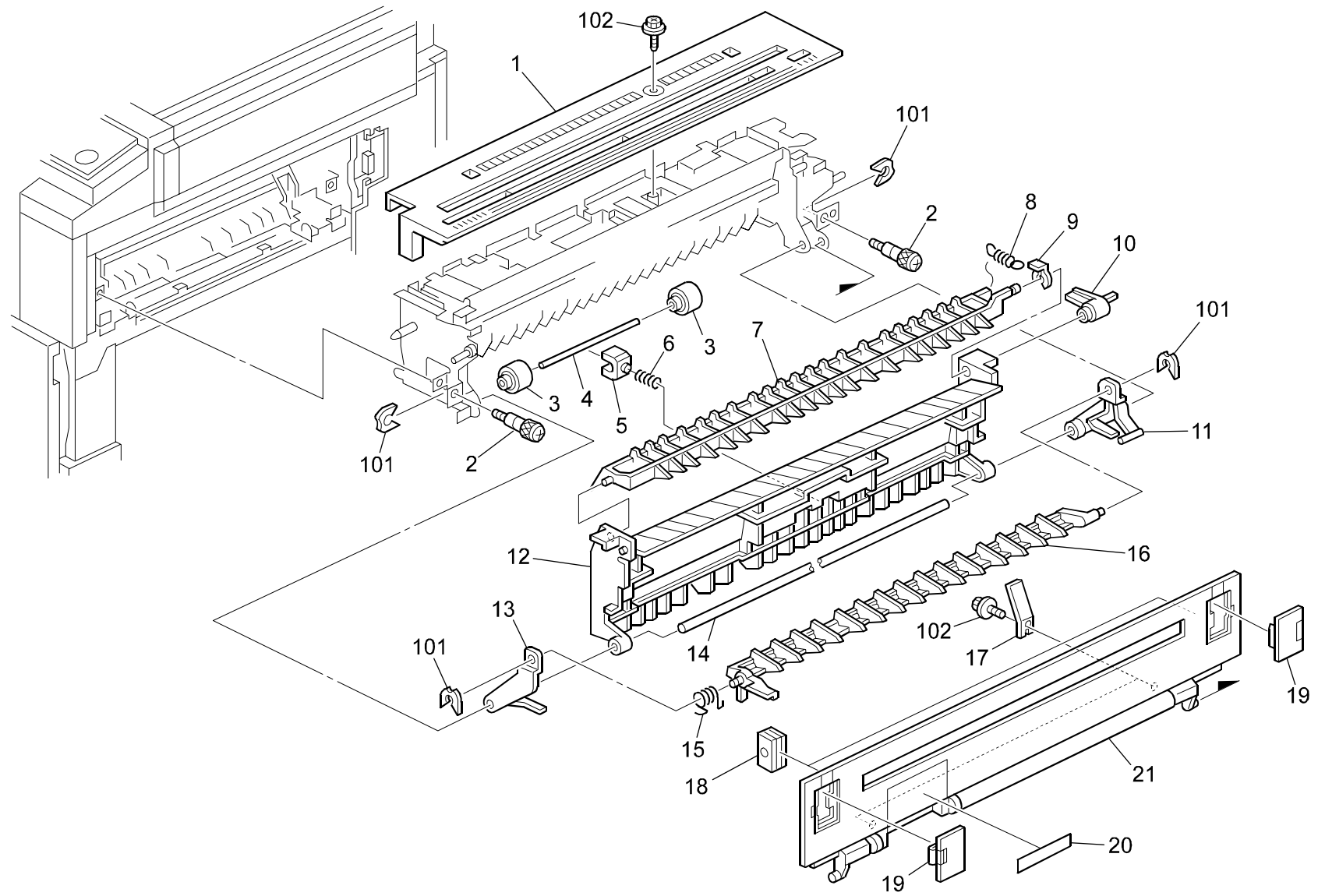
PARTS CATALOG

This catalog gives the numbers and names of parts on this machine.

1.Interchange Unit 1 (B481).....	2
2.Interchange Unit 2 (B481).....	4
PARTS INDEX.....	7

April ,6 ' 2005

1. Interchange Unit 1 (B481)

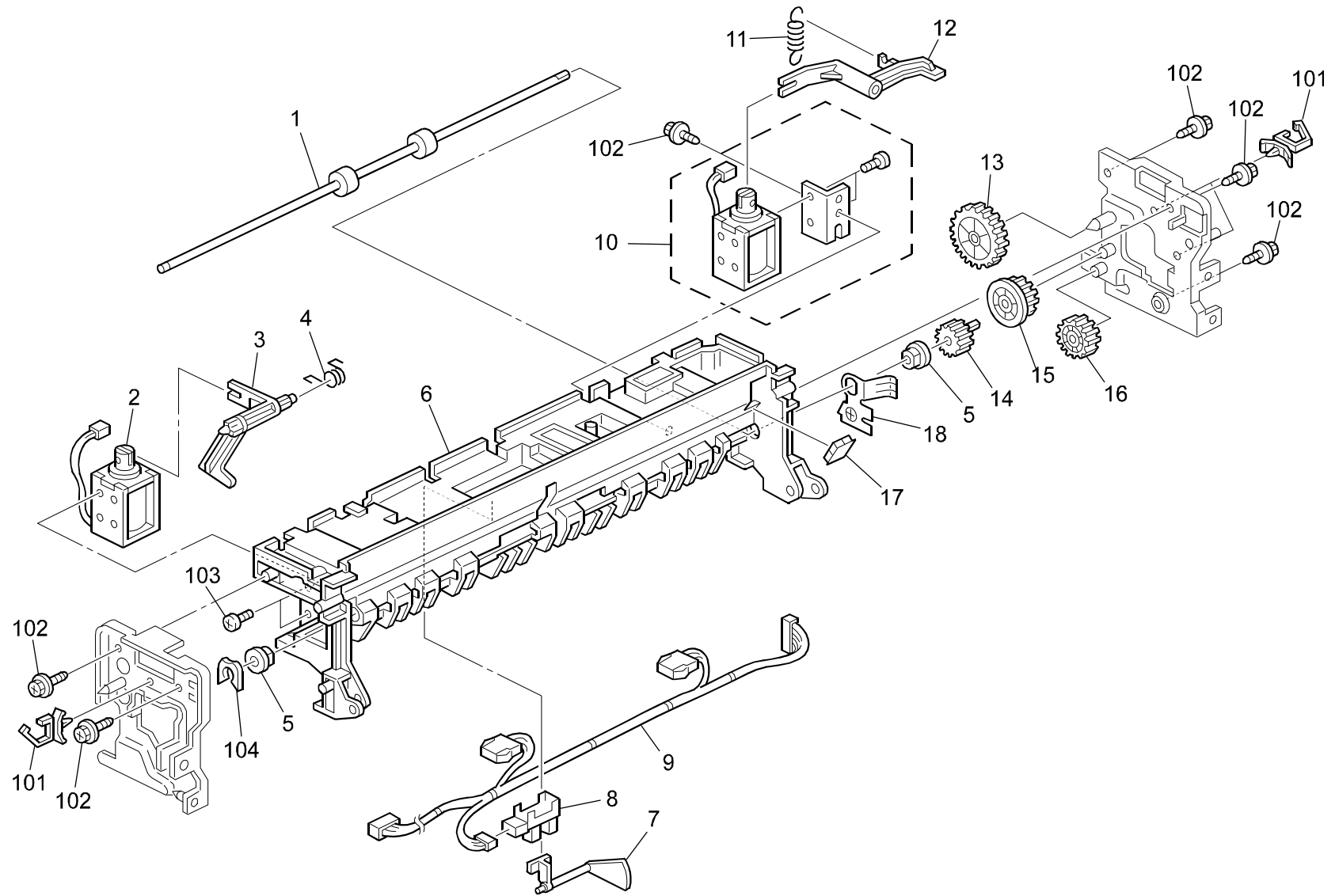


1.Interchange Unit 1 (B481)

Index No.	Part No.	Description	Q'ty Per Assembly
1	B481 7120	Gate Cover	1
2	AA14 3506	Knob Screw	2
3	B300 4566	Roller Tension	2
4	AA14 3653	Shaft:Roller:Tension	1
	AA14 5818	o/o MB3	
5	5205 4527	Spring - Exit	1
6	AA08 0156	Bushing - M4	1
7	B300 4568	Gate Pawl Upper	1
8	AA06 0794	Spring - Link Gate Pawl - Uppe R	1
9	5447 2681	Snap Ring	1
10	B300 4569	Lever Gate Pawl Upper	1
11	B300 4572	Arm Gate Pawl Lower Rear	1
12	B300 4563	Guide Plate	1
13	B300 4575	Arm Gate Pawl Lower Front	1
14	G305 4574	Shaft:Guide Plate:Open And Close	1
	B300 4574	o/o MB3	
15	AA06 6314	Gate Pawl Lower Spring	1
16	G305 2556	Lower Gate Pawl	1
17	G305 2552	Spring Plate	2
18	AG07 0014	Magnet Catch	2
19	G305 2553	Cap	2
20	AA00 3023	Decal:Grip:Exit	1
	AA00 3021	x/o MB2	
21	G305 2551	Misfeed Cover	1

Index No.	Part No.	Description	Q'ty Per Assembly
101	0805 0089	Retaining Ring - M4	
102	0450 3008B	Tapping Screw - M3x8	

2. Interchange Unit 2 (B481)



2.Interchange Unit 2 (B481)

Index No.	Part No.	Description	Q'ty Per Assembly
1	AF02 0544	Transport Roller	1
2	B481 4514	DC Solenoid:Gate Pawl:Lower:Ass'y	1
	B300 4514	o/o MB3	
3	B300 4512	Link Gate Pawl Lower	1
4	AA06 6330	Spring- Lowergate Pawl	1
5	AA08 2101	Bushing - 6x10x6	2
6	B300 4501	Frame Gate	1
7	B300 4516	Feeler Photointerruptor	1
8	AW02 0120	Photointerruptor - Flat	1
9	B481 5493	Harness:Gate:Unit	1
	B481 5439	o/o MB3	
10	B481 4503	DC Solenoid:Gate Pawl:Upper:Ass'y	1
	B300 4503	o/o MB3	
11	AA06 0794	Spring - Link Gate Pawl - Uppe R	1
12	B300 4508	Line Gate Pawl Upper	1
13	AB01 1226	Idler Grar - 37z	1
14	AB01 1405	Gear - Transport Roller	1
15	AB01 1227	Idler Gear - 21z	1
16	AB01 1228	Idler Gear - 23z	1
17	AA16 1143	Cushion - Link	1
18	G305 1064	Grouding Plate	1

Index No.	Part No.	Description	Q'ty Per Assembly
101	1105 0511	Harness Clamp - LWS-0306ZC	
102	0450 3008B	Tapping Screw - M3x8	
103	0353 0040B	Screw - M3X4	
104	0805 0089	Retaining Ring - M4	

Parts Index

Parts Index

Part No.	Description	Page and Index No.
B481 4503	DC Solenoid:Gate Pawl:Upper:Ass'y	5 - 10
B481 4514	DC Solenoid:Gate Pawl:Lower:Ass'y	5 - 2
B481 5439	o/o MB3	5 - 9
B481 5493	Harness:Gate:Unit	5 - 9
B481 7120	Gate Cover	3 - 1

Part No.	Description	Page and Index No.
B300 4501	Frame Gate	5 - 6
B300 4503	o/o MB3	5 - 10
B300 4508	Line Gate Pawl Upper	5 - 12
B300 4512	Link Gate Pawl Lower	5 - 3
B300 4514	o/o MB3	5 - 2
B300 4516	Feeler Photointerruptor	5 - 7
B300 4563	Guide Plate	3 - 12
B300 4566	Roller Tension	3 - 3
B300 4568	Gate Pawl Upper	3 - 7
B300 4569	Lever Gate Pawl Upper	3 - 10
B300 4572	Arm Gate Pawl Lower Rear	3 - 11
B300 4574	o/o MB3	3 - 14
B300 4575	Arm Gate Pawl Lower Front	3 - 13
G305 1064	Grouding Plate	5 - 18
G305 2551	Misfeed Cover	3 - 21
G305 2552	Spring Plate	3 - 17
G305 2553	Cap	3 - 19
G305 2556	Lower Gate Pawl	3 - 16
G305 4574	Shaft:Guide Plate:Open And Close	3 - 14

Part No.	Description	Page and Index No.
AA00 3021	x/o MB2	3 - 20
AA00 3023	Decal:Grip:Exit	3 - 20
AA06 0794	Spring - Link Gate Pawl - Uppe R	3 - 8
AA06 0794	Spring - Link Gate Pawl - Uppe R	5 - 11
AA06 6314	Gate Pawl Lower Spring	3 - 15
AA06 6330	Spring- Lowergate Pawl	5 - 4
AA08 0156	Bushing - M4	3 - 6
AA08 2101	Bushing - 6x10x6	5 - 5
AA14 3506	Knob Screw	3 - 2
AA14 3653	Shaft:Roller:Tension	3 - 4
AA14 5818	o/o MB3	3 - 4
AA16 1143	Cushion - Link	5 - 17
AB01 1226	Idler Grar - 37z	5 - 13
AB01 1227	Idler Gear - 21z	5 - 15
AB01 1228	Idler Gear - 23z	5 - 16
AB01 1405	Gear - Transport Roller	5 - 14
AF02 0544	Transport Roller	5 - 1
AG07 0014	Magnet Catch	3 - 18
AW02 0120	Photointerruptor - Flat	5 - 8

Part No.	Description	Page and Index No.
0353 0040B	Screw - M3X4	5 -103
0450 3008B	Tapping Screw - M3x8	3 -102
0450 3008B	Tapping Screw - M3x8	5 -102
0805 0089	Retaining Ring - M4	3 -101
0805 0089	Retaining Ring - M4	5 -104
1105 0511	Harness Clamp - LWS-0306ZC	5 -101

Part No.	Description	Page and Index No.
5205 4527	Spring - Exit	3 - 5
5447 2681	Snap Ring	3 - 9

Part No.	Description	Page and Index No.
----------	-------------	--------------------